



CEILINGS THE WORLD LOOKS UP TO



**EVEREST**  
CEILING SOLUTIONS



## EVEREST CEILING SOLUTIONS

Today, a false ceiling is much more than just a covering for steel or RCC structures. It is a multipurpose surface that serves in terms of thermal, acoustic, light reflectance and ease of maintenance. Ceilings are also no longer confined to interiors but also installed in open areas like soffit lining, external corridors, porticos, driveways etc. and thus, need to be weather resistant as well.

At Everest, we understand how you need different ceilings for different spaces. Which is why Everest has introduced various options to cater to the diverse needs of customers. Do you need an uncomplicated yet elegant ceiling solution for your office? Or are you looking for a sturdier system for your hotel driveway that can withstand wind loads? Perhaps you desire a more aesthetic ceiling choice for your showroom? Need a complete hassle-free ceiling solution? That's what Everest Ceiling Solutions bring to you and your design. From simple plain choices to designer variants to Grid Systems, Everest Ceiling Solutions is the ideal answer to all that you need and desire from your ceiling and the perfect complement to your space!

**Everest Ceiling Solutions.  
Ceilings The World Looks Up To.**



## WHY FALSE CEILINGS?

### EASE OF MODIFICATION

- False ceiling panels can be easily removed. This offers instant access to the ventilation system thereby simplifying repairs or alterations
- While remodeling, nearly all components of the grid can be dismantled and reassembled elsewhere
- Ventilation system requires only enclosed ducts that deliver fresh air into the room below. Return air enters the ceiling space through open grills across the ceiling

### CONVENIENCE

- False ceilings are easy to install and remove
- Suspended ceilings also provide insulation. This is because when ceilings are installed, a static layer of air between the main ceiling and the drop ceiling is created, which acts as a great insulator
- Excellent moisture resistance property
- Good thermal insulation property

## CEILINGS FOR WET AREA

Exposed pipes and seepage on washroom ceilings look terrible! Even with repeated painting and cosmetic lifts, there is no significant effect on the same. To make your life easier, Everest presents a wet area ceiling solution that protects your ceilings from moisture and enhances the overall appeal of your washrooms.

Providing excellent moisture and thermal resistance properties, Everest Standard Ceilings for Wet Area are ready to install and can be painted in any colour of your choice. These can also accommodate accessories for system offering (solutions) thus making your washrooms purpose-ready in no time. Everest Standard Ceiling Solution for Wet Area is a stronger, aesthetically appealing and ready-to-use alternative to conventional ceilings.

### Areas of Application

- Washrooms
- Kitchens
- Toilets
- Factories and Warehouses
- Sports Complex
- Corridors, Porticos and Driveways
- Recreational Facilities
- Hotels, Resorts and Offices

### Advantages

- Ideal for moisture prone areas
- Conceal ugly wires and ducts

### Superior Attributes



Fire Resistant



Moisture Resistant

## CEILINGS FOR DRIVEWAYS

Make your first impressions last with complete Ceiling Solutions from Everest! Created to withstand high pressure wind loads and with superior moisture, thermal and termite resistant properties, Everest Heavy Duty Ceilings ensure that your driveways, porches and gazebos look stunning for years together.

Everest Heavy Duty Ceilings are manufactured using advanced technology, which is why these are a more durable, aesthetic and ready-to-use alternative to conventional ceilings.

### Areas of Application

- Porticos
- Driveways
- Corridors
- Factories and Warehouses
- Sports Complex
- Washrooms, Kitchens and Toilets
- Recreational Facilities
- Residences, Hotels and Resorts

### Advantages

- Can withstand high suction wind pressure

### Superior Attributes



Fire Resistant



Moisture Resistant

## STANDARD CEILINGS

When it comes to deciding a ceiling that is strong and durable, Everest Standard Ceilings are the best on offer. These are made using the High Pressure Steam Curing (HPSC) Autoclave process and can withstand extreme conditions in commercial, industrial and residential installations. They provide exceptional thermal resistance and dimensional stability even under prolonged exposure to moisture.

Allowing you to have the finish of your choice, Everest Standard Ceilings give you the assurance of strength and durability and truly help you create ceilings that the world looks up to.

### Areas of Application

False Ceilings for high humidity locations like:

- Kitchens/ Toilets/ Washrooms
- Factories and Warehouses
- Sports Complex/ Health Clubs
- Corridors, Porticos and Driveways

### Advantages

- Strong and durable
- Economical and easy to maintain
- Good thermal insulation

### Superior Attributes



Dimensionally Stable



Moisture Resistant



Thermal Resistant



Fire Resistant

### Finishing Choices



Paint



Texture Paint



## DESIGNER CEILINGS

Designed for aesthetics, Everest Designer Ceilings are self-embossed with abstract patterns and textures that make them visually pleasing. These come in a variety of unique designs, which will enhance the overall appearance of your projects, be it a home, office, mall, club or resort!

With our finishing choices - Cascade, Electra, Lake & Hill and Oceanic - you can select the best for your space and give it the look it deserves. All the finishing choices are available in ivory (painted white and ready-to-use), making these Boards easy to install and access.

### Areas of Application

False Ceilings in high visibility areas such as:

- Offices
- Showrooms/ Shopping Centres
- Recreational Facilities
- Residences
- Hotels and Resorts

### Advantages

- Pre-painted for superior aesthetics
- Strong and durable
- Economical and easy to maintain
- Good thermal insulation

### Superior Attributes



Unique Embossed Texture



Moisture Resistant



Pre-Finished



Fire Resistant

### Available Textures



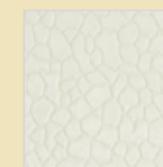
Cascade



Electra



Lake & Hill



Oceanic

## TEX CEILINGS

The biggest challenge for a textile factory is to maintain the desired level of temperature and humidity at the shop floor. Manufactured using the High Pressure Steam Curing (HPSC) Autoclave process, Everest TEX Ceilings boast excellent moisture and thermal resistant properties.

These pre-finished, highly durable Fibre Reinforced Cement Boards are ready to install and can be painted in any colour of your choice. Their smooth surface leads to 80% light reflectance, thus ensuring that the true colours of your textiles come alive! Everest TEX Ceilings with Everest Grid System create the most trusted and reliable ceiling solution with zero maintenance.

### Areas of Application

- Textile Mills
- Shops

### Advantages

- Ideal for high humid conditions (above RH 95)
- Pre-painted for superior aesthetics

### Superior Attributes



Moisture Resistant



Light Reflection



Fire Resistant



Pre-Finished



## CEILING GRID SYSTEMS

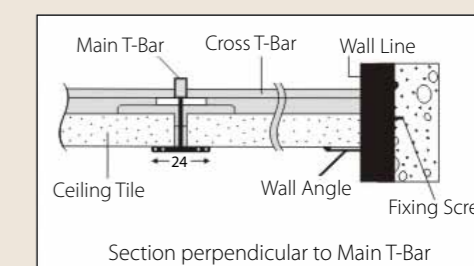
Everest Ceiling Grid System is one of the most innovative ceiling systems, which is ready to install and dimensionally stable. Being roll formed from hot-dip galvanised steel, it provides effective protection against corrosion.

This system allows you to translate your conceptions into reality and gives you the complete solution to create ceilings that the world looks up to.

### Variants

#### T-24

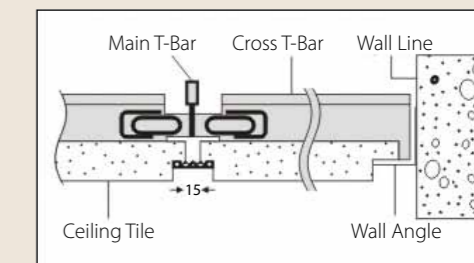
- T-2430: Light Duty Suspended Ceiling Grid System
- T-2420: Heavy Duty Suspended Ceiling Grid System



Regular T-24

#### T-15

- T-1510: Light Duty Suspended Ceiling Grid System



Regular T-1510

### Advantages

- Maximum load bearing of 12.5 kg/sqm
- Available in 4 variants
- Pre-Engineered, pre-decorative and available in unique patterns
- Hot dipped galvanised steel capped with pre-coated steel e.g. safety fire expansion notch
- Quick to install, easy to maintain, reliable and versatile

# TECHNICAL AND PHYSICAL SPECIFICATIONS

## Standard Ceilings and Designer Ceilings

PROPERTY	UNIT	STANDARD	VALUE
Size	mm		610x610/ 1220x610/ 1220x1220/ 1195x595 595x595 (Standard & Designer Ceilings)
Thickness	mm		4 mm      6 mm
Standard Weight	kg/m <sup>3</sup>	ISO 8336/ IS 14862	4.84 for 4 mm      6.95 for 6 mm
Edge Profile			Square      Square
Apparent Density (Dry)	kg/m <sup>3</sup>	ISO 8336/ IS 14862	1210      1158
Impact Strength (Charpy Method)	kg/m <sup>3</sup>	ASTM D 256	7.19      5.59
Minimum Modulus of Rupture (MOR) (at EMC)	Mpa, N/mm <sup>3</sup>	ISO 8336/ IS 14862	15.2      14.1
Minimum Modulus of Rupture (MOR) (in wet conditions)	Mpa, N/mm <sup>3</sup>	ISO 8336/ IS 14862	9.9      8.5
Screw Withdrawal Strength (Face)	N	IS 2380, Part XIV	1774      1290
Thermal Conductivity at 50° C (Mean Temperature)	W/mK	ASTM C518	0.22      0.14
Linear Coefficient of thermal expansion	mm/mm/°C	ASTM C696	7.43x10 <sup>-6</sup> 7.43x10 <sup>-6</sup>
pH Value			8 - 9      8 - 9
Acoustic Insulation	dB	BS 2750	26 for 6 mm
Moisture Content (at EMC)			11 to 12%      11 to 12%
Adhesion/ Lamina Bond Strength	Mpa, N/mm <sup>3</sup>	ASTM D 1037	0.9 - 1.0      0.9 - 1.0

## I. Moisture Resistance Properties

Everest Boards are moisture resistant and qualify as per ASTM C-1185\*\* Standards

PROPERTY	RESULT
Moisture Content (at EMC*)	Everest Boards      Everest Heavy DutyBoards
Change in Thickness due to Swelling in water	11 - 12%      6 - 8%
Change in Length	0.8%      0.4%
Dimensional Changes at 90% Rh	0.1%      0.03%
Difference in Thickness	0.1 mm      0.03 mm
	0.2 mm      0.05mm

\* EMC - Equilibrium Moisture Condition. At EMC, conditions of environment are 23+/-5° C and 50+/-10% Relative Humidity (Rh)

## II. Fire Resistance Properties

Everest Boards are non-combustible and qualify for:

a. Early Fire Hazard Indices as per AS-1530 part 3\*\*\*      b. Resistance to Fire as per BS-476\*\*

PROPERTY	RESULT
Ignition Index	0*
Ignitability	0*
Heat Evolved Index	0*
Flame Spread Index	0*
Smoke Developed Index	0*

\* Zero is the best result.      AS - Australian Standard

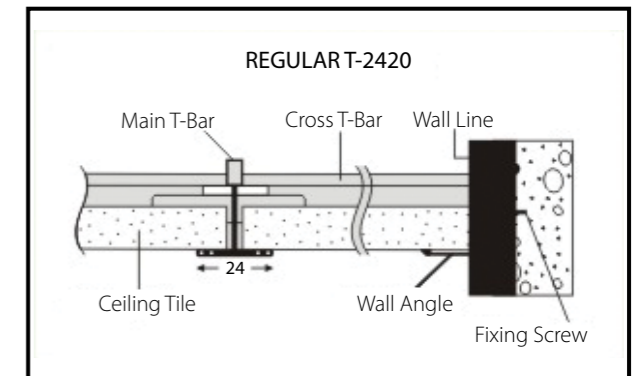
Combustibility	Non-combustible, BS 476 Part IV Series
Ignitability	Class "P"-not easily ignites, BS 476, Part V
Fire Propagation Index	<3, BS 476 Part VI (Limit <12)
Surface Spread of Flame	Class-1, BS 476 Part VII (Class 1-4; 1= Excellent)
Specific Optical Density of Smoke	<5, ASTM E 662
UK Building Regulations	Class "0"

\*\* AS - Australian Standard, BS - British Standard, ASTM - American Standard

## Ceiling Grid Systems

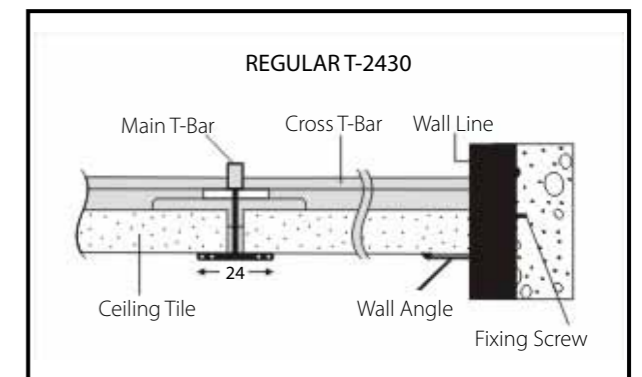
### REGULAR T-2420 SYSTEM

Item	Length (mm)	Thickness (mm)	Height (mm)	Weight (kg)
Main Runner	3600	0.32	38	0.98
Cross Tee 1200	1200	0.3	28	0.26
Cross Tee 600	600	0.3	28	0.13
Wall Angle	3000	0.4	22	0.43
*Max. Load Bearing	12.5 kg/m <sup>3</sup>			



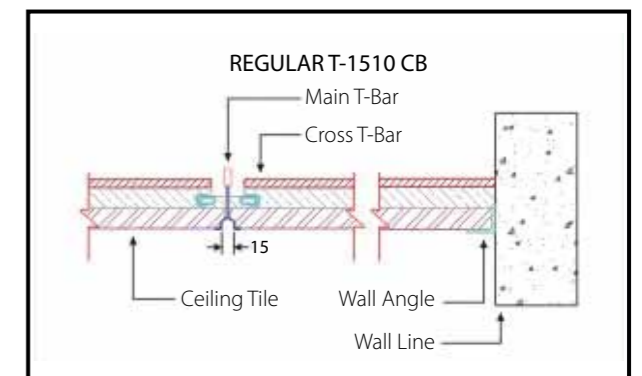
### REGULAR T-2430 SYSTEM

Item	Length (mm)	Thickness (mm)	Height (mm)	Weight (kg)
Main Runner	3600	0.25	38	0.9956
Cross Tee 1200	1200	0.25	27	0.2618
Cross Tee 600	600	0.25	27	0.1328
Wall Angle	3000	0.4	22	0.43
*Max. Load Bearing	12.5 kg/m <sup>3</sup>			



### REGULAR T-1510 SYSTEM

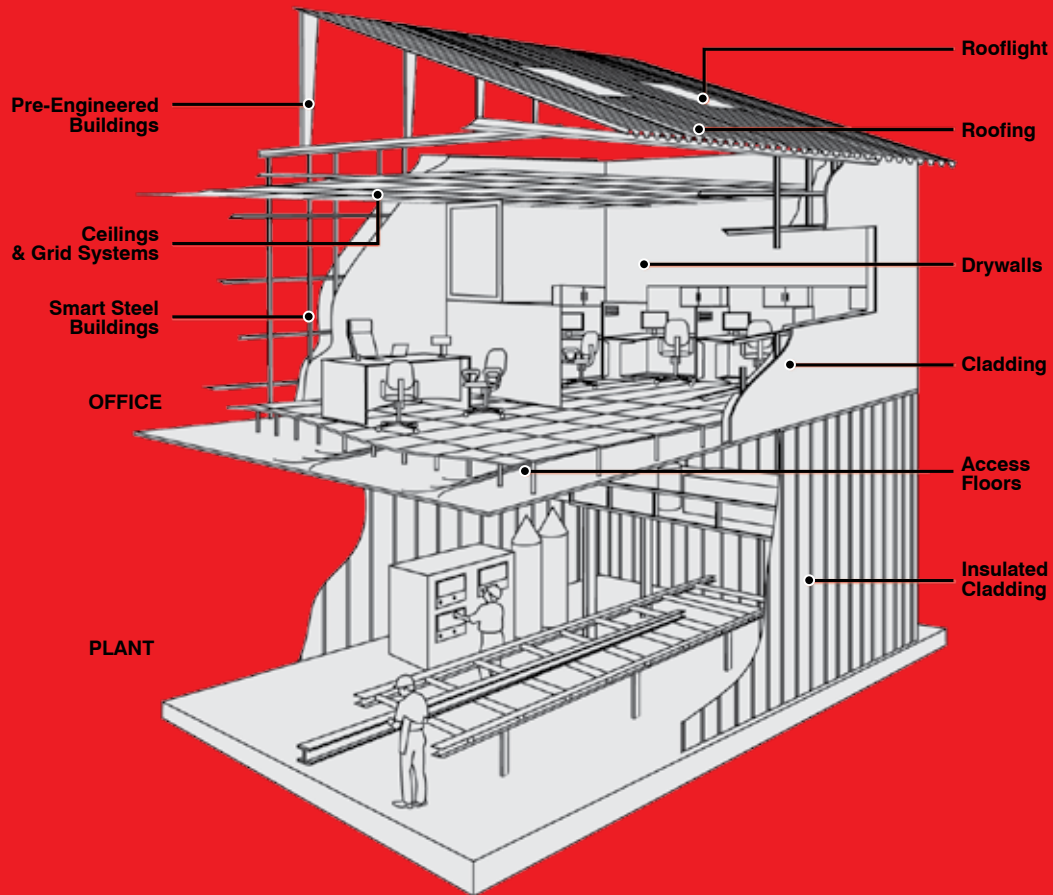
Item	Length (mm)	Thickness (mm)	Height (mm)	Weight (kg)
Main Runner	3000	0.3	32	0.76
Cross Tee 1200	1200	0.3	32	0.3
Cross Tee 600	600	0.3	32	0.15
Wall Angle	3050	0.3	20	0.36
*Max. Load Bearing	12 kg/m <sup>3</sup>			



### Notes:

Both Metric and Imperial systems are available.  
Tolerance Limits are guided by IS 14862 for Everest Standard Ceilings and Everest Designer Ceilings  
Special Sizes, Thicknesses and Calibrations can also be made available to meet specific requirements

\* As per ASTM C-635 Standards with mid span deflection not exceeding L/ 360 span with hanger spacing of 1200 mm c/c



## COMPLETE BUILDING SOLUTIONS

## About Everest Industries Ltd.

Trusted by people since 1934, Everest is one of India's fastest growing building solutions companies. Today, our range of ready-to-use products provides solutions for your building needs in roofing, ceilings, walls, floors, cladding and doors across commercial, industrial and residential sectors in over 25 countries. In India, we distribute our products across 1,00,000 villages and 600 cities, through 6 state-of-the-art facilities, 6,000 outlets, 38 sales depots and 14 offices.

We manufacture Pre-Engineered Buildings and Smart Steel Buildings for the industrial and commercial sectors.

**Everest Building Solutions.**  
**For Strength, Speed and Safety.**

Presentations in the brochure or any other Everest Industries Limited publications are correct to the best of the knowledge of the company, at the time of preparation. Everest Industries Limited provides this information in an advisory capacity only and reserves the right to change the specifications without prior intimation.

### Everest Industries Limited

CORPORATE OFFICE: Genesis A-32 Mohan Co-operative Industrial Estate Mathura Road New Delhi 110044 India  
 Tel: +91-11-41731951/52 Fax: +91-11-46566370 Helpline: 09958037777

ZONAL & REGIONAL OFFICES: New Delhi - Tel: 011-41731953 Mumbai - Tel: 022-672250279 Kolkata - Tel: 033-24695814/2598/5312 Coimbatore - Tel: 0422-2413632/2413816/118 Bhopal - Tel: 0755-4033701 Ahmedabad - Tel: 079-26421343 Bengaluru - Tel: 080-25727170 Chennai: Tel: 044-28353311 Bhubaneswar - Tel: 0674-2594653

ceilings@everestind.com | www.everestind.com

